

IS D360

white
 EAN 4007841 601317
 Article number 601317



infrared sensor
360°



max. 8 m

1000 W

1000 W max.



IP20



2 - 2000 lux



5 sec - 20 min



ideal 2,5 m



energy saving

5 years

manufacturer's
warranty steinel-
professional.de/
garantie



CE

Function description

The compact class. Recessed ceiling motion detector IS D360 for indoors, ideal for mounting in any standardized spot bezel, installation height up to 2.5 m, in the size of a bulb (e.g. GU10), 360° angle of coverage, max. reach 8 m (tangential), floating contact 50-250 volts.

Technical specifications

Dimensions (Ø x H)	83 x 82 mm
Manufacturer's Warranty	5 years
Settings via	Potentiometers
With remote control	No
Version	white
PU1, EAN	4007841601317
Type	Motion detectors
Application, place	Indoors
Application, room	corridor / aisle, function room / ancillary room, WC / washroom, Indoors
Colour	white
Colour, RAL	9010
Includes corner wall mount	No
Installation site	ceiling
Installation	In-ceiling installation, Ceiling
IP-rating	IP20
Ambient temperature	from -20 up to 50 °C

LED lamps > 8 W	64 W
Capacitive load in µF	88 µF
Technology, sensors	passive infrared, Light sensor
Mounting height	2,50 – 4,00 m
Mounting height max.	4,00 m
Optimum mounting height	2,5 m
Detection angle	360 °
Angle of aperture	180 °
Sneak-by guard	Yes
Capability of masking out individual segments	Yes
Electronic scalability	No
Mechanical scalability	No
Reach, radial	Ø 8 m (50 m²)
Reach, tangential	Ø 16 m (201 m²)
Switching zones	720 switching zones
Twilight setting	2 – 2000 lx
Time setting	5 s – 20 Min.

IS D360

white
EAN 4007841 601317
Article number 601317



Technical specifications

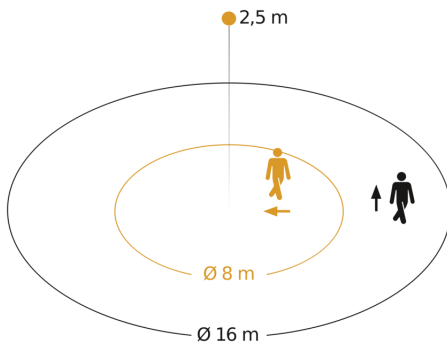
Material	Plastic
Mains power supply	230 – 240 V / 50 Hz
Switching output 1, resistive	1000 W
Fluorescent lamps, electronic ballast	750 W
Fluorescent lamps, uncorrected	500 VA
Fluorescent lamps, series-corrected	900 VA
Switching output 1, low-voltage halogen lamps	1000 VA
LED lamps < 2 W	16 W
LED lamps > 2 W < 8 W	64 W

Basic light level function	No
Main light adjustable	No
Twilight setting TEACH	No
Constant-lighting control	No
Interconnection	Yes
Type of interconnection	Master/master
Interconnection via	Cable
Product category	Motion detector

IS D360

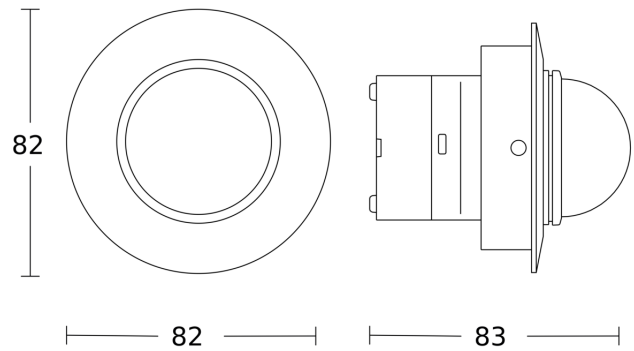
white
EAN 4007841 601317
Article number 601317

Detection Zone

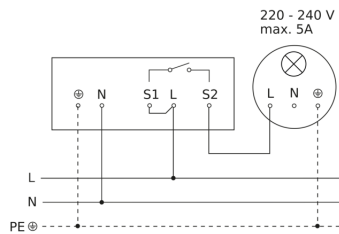


Possible mounting height: 2,50 m – 4,00 m
Orange: radial
Black: tangential

Dimension Drawing



Master circuit diagram 230V



Master circuit diagram PF

